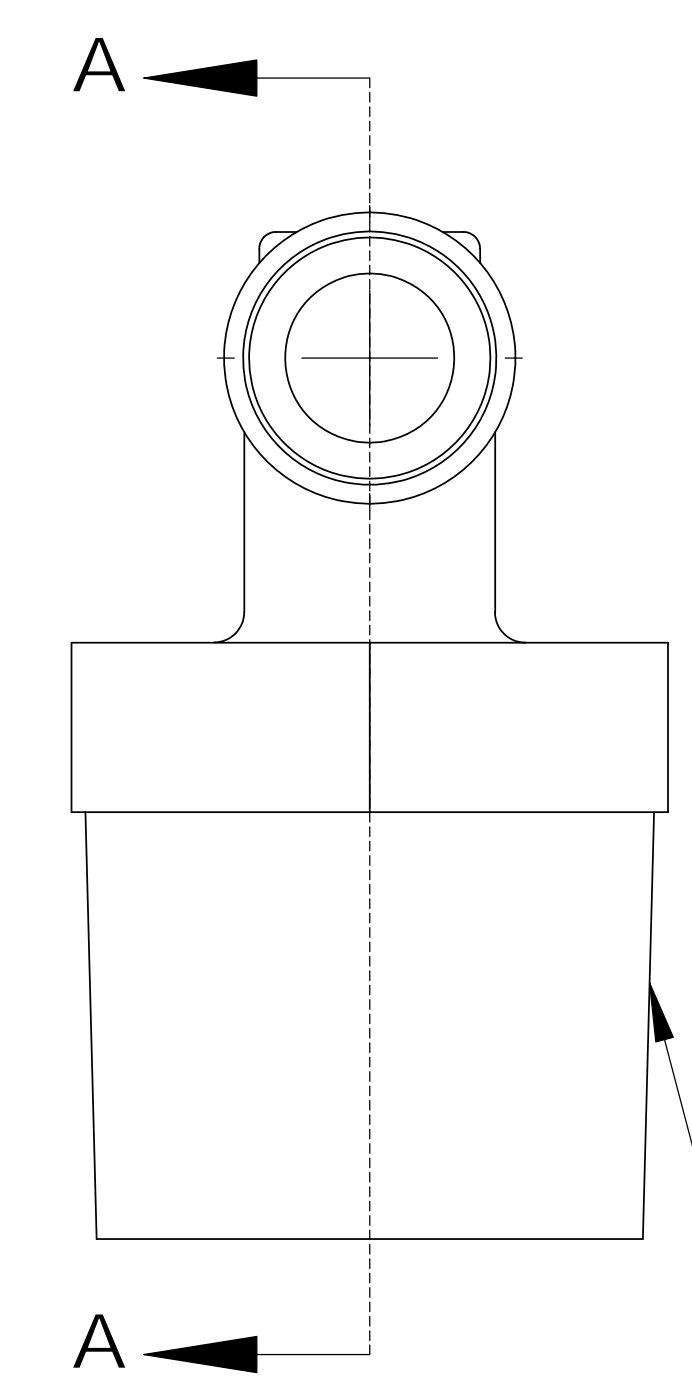
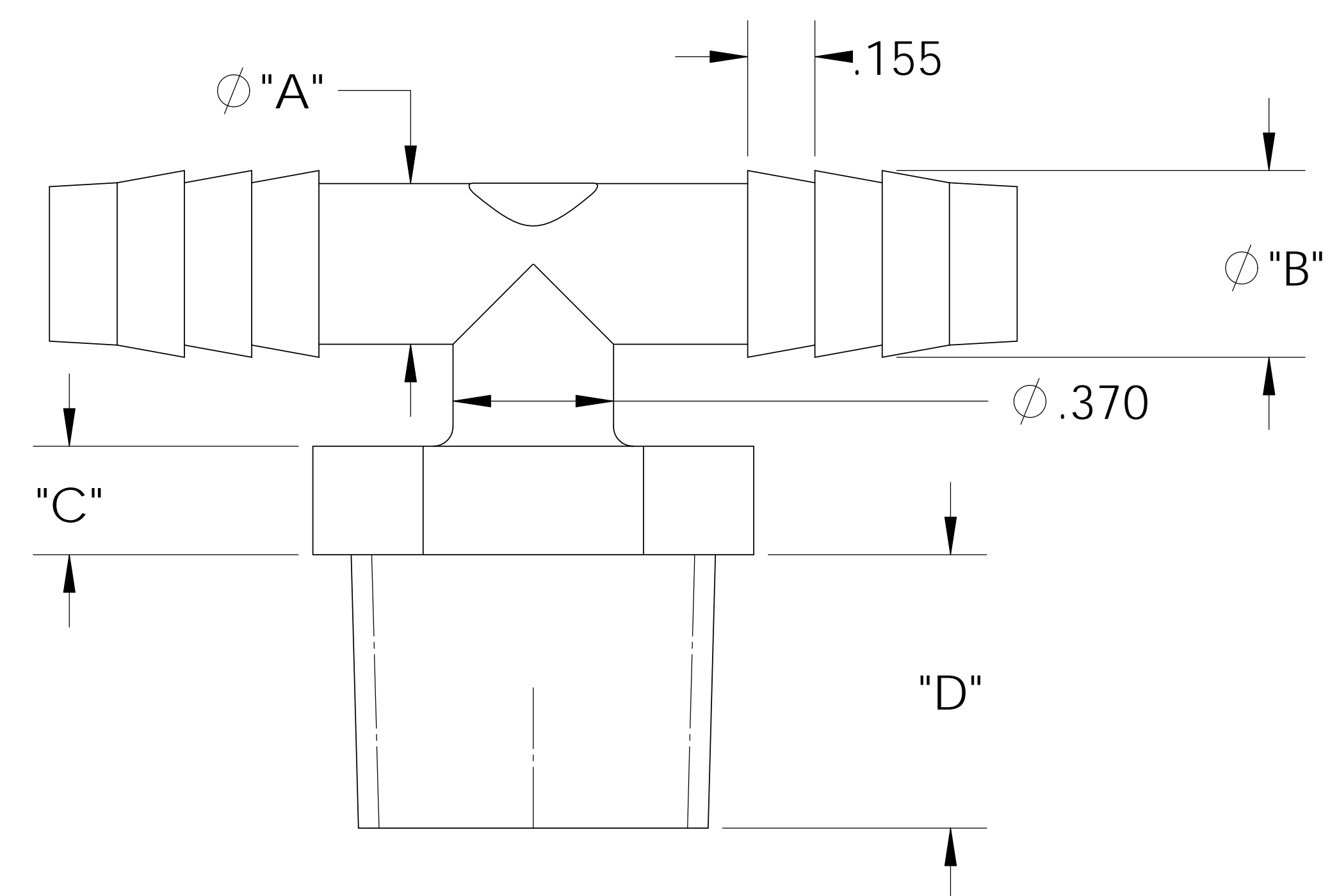
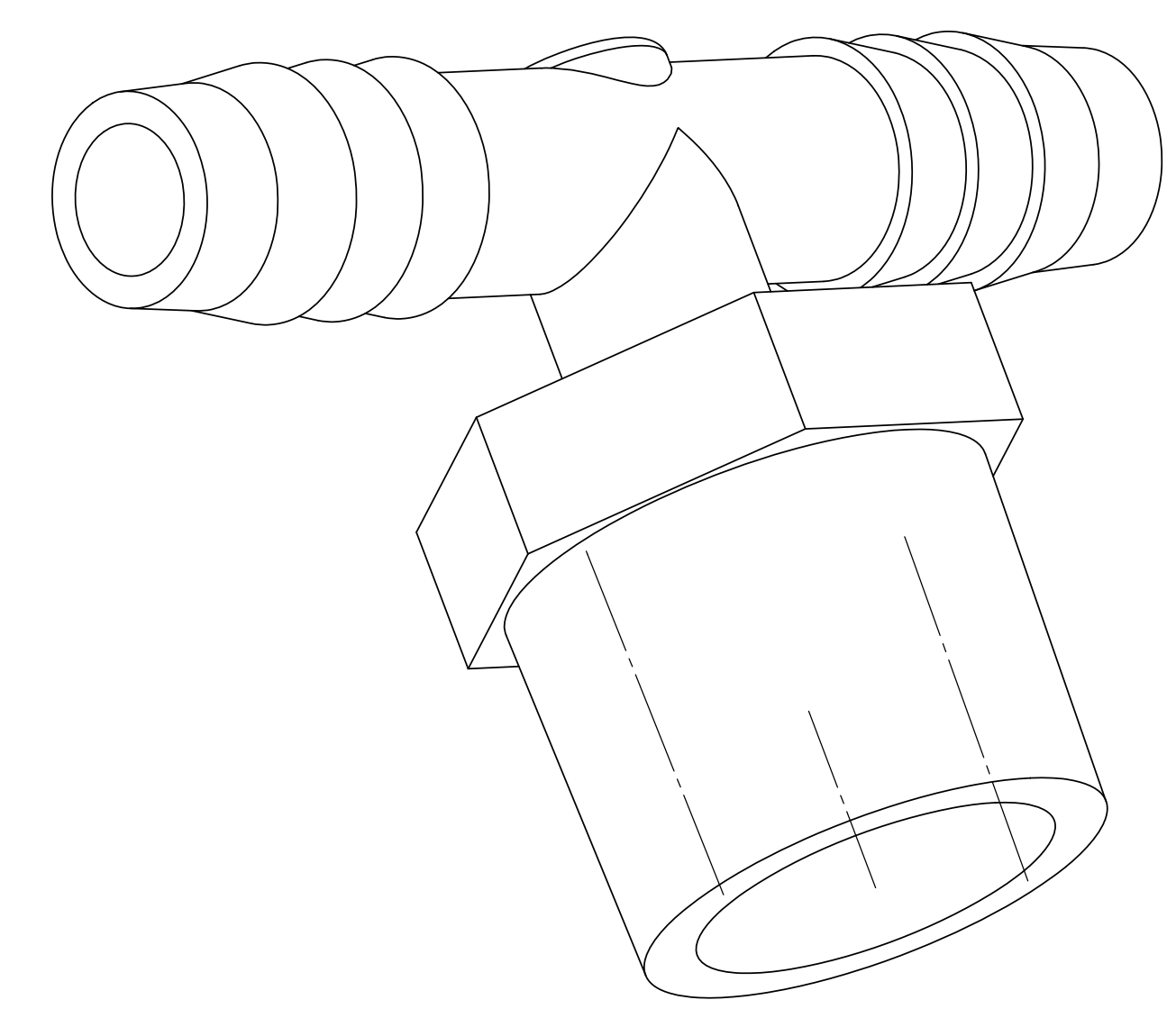
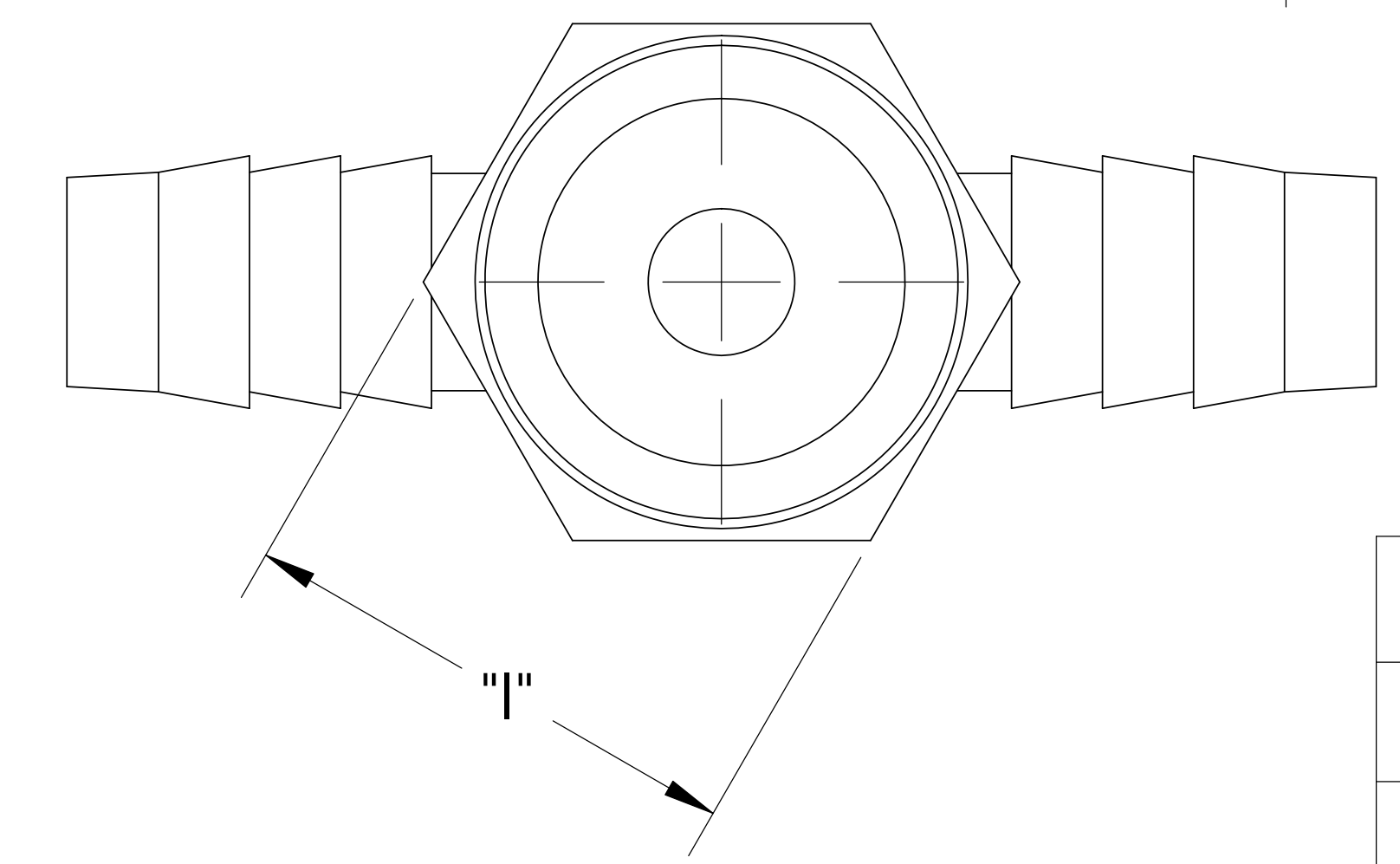
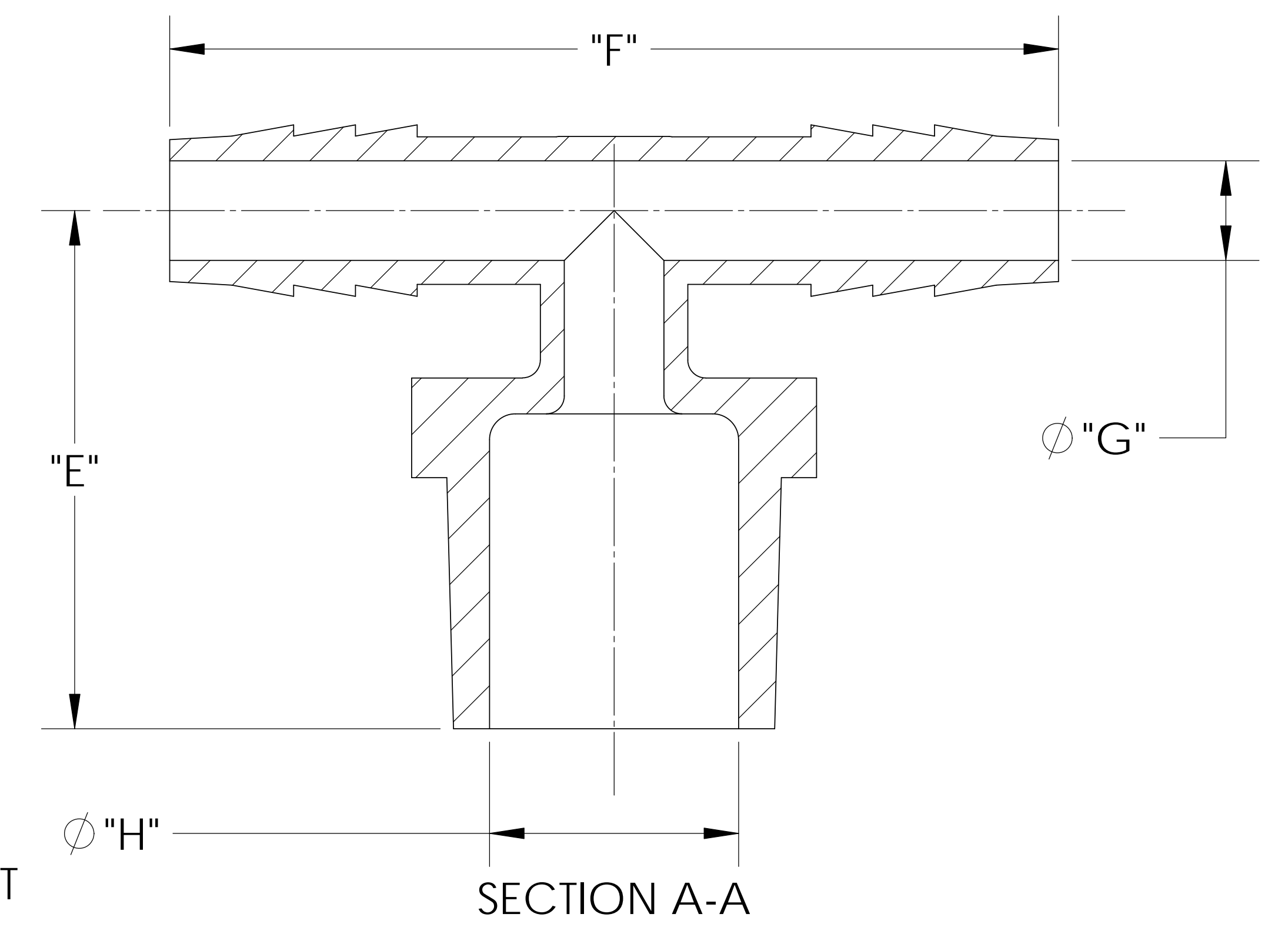


8 7 6 5 4 3 2 1



MALE 1/2"-14 NPT



SHOWN

CATALOG NO.	DESCRIPTION	MATERIAL	DIM "A"	DIM "B"	DIM "C"	DIM "D"	DIM "E"	DIM "F"	DIM "G"	DIM "H"	DIM "I"
TT3866/PP	1/2" X 3/8" X 3/8" PP	POLYPROPYLENE	.365	.425	.24	.62	1.28	2.21	.245	.615	.86
TT3866/P	1/2" X 3/8" X 3/8" P	POLYETHYLENE	.370	.430	.24	.60	1.26	2.16	.245	.612	.85
TT3866/N	1/2" X 3/8" X 3/8" N	NYLON	.370	.430	.25	.63	1.30	2.23	.250	.625	.88

NOTES:


- 1) POLYPROPYLENE HAS COLOR OPTIONS:
 BLACK = TT3866/PPB
 NATURAL = TT3866/PPN

PROPRIETARY AND CONFIDENTIAL
 THE INFORMATION CONTAINED IN THIS DRAWING IS THE SOLE PROPERTY OF THOGUS PRODUCTS COMPANY. ANY REPRODUCTION IN PART OR AS A WHOLE WITHOUT THE WRITTEN PERMISSION OF THOGUS PRODUCTS COMPANY IS PROHIBITED.

REV	WRO#	DESCRIPTION
D	95.00132	CONVERTED TO 3D FORMAT
HISTORY		

UNLESS OTHERWISE SPECIFIED:
 DIMENSIONS ARE IN INCHES
 TOLERANCES:
 ANGULAR: $\pm 0.5^\circ$
 X.X = ± 0.1
 X.XX = ± 0.05
 X.XXX = ± 0.015
 REMOVE ALL SHARP EDGES AND BURRS
 BLEND ALL RADII TO 0.01IN
 INTERPRET GEOMETRIC TOLERANCING PER: ANSI Y 14.5 1994
 MATERIAL: PP, P, N
 FINISH: NA
 THIRD ANGLE PROJECTION:

	NAME	DATE
DRAWN	JRM	05/25/11
CHECKED	KDJ	05/25/11
ENG APPR.		XX/XX/XX
MFG APPR.		XX/XX/XX
Q.A.		XX/XX/XX
COMMENTS:		


Thogus You think it, we can make it...
 33490 PIN OAK, AVON LAKE, OH 44012
 TITLE: **1/2" NPT X 3/8" BARB X 3/8" BARB TEE**

SIZE B	DWG. NO. TT3866	REV D
SCALE: 3:2	MASS:	SHEET 1 OF 1

8 7 6 5 4 3 2 1